

Rates and Specifications

for all our

Under Bridge Units



www.ewphire.net.au

EWP Hire Pty Ltd

P: 0488 666 063

E: admin@ewphire.net.au

ABN: 61 162 101 699

P: PO Box 239 West Burleigh QLD 4219

A: 3 Rudman Parade, Burleigh Heads QLD 4220

Rates for 2019

| Unit Description | Quantity | Wet Hire Daily Rate (excl GST) |
|--|----------|-----------------------------------|
| 3.6m Aichi Underbridge Maintenance Units | 1 | \$1840.00 - (\$230 per hr) |
| 7m Moog Underbridge Maintenance Units | 2 | \$1600.00 - (\$200 per hr) |
| 7m Moog Underbridge Maintenance Unit Industrial | 1 | \$1800.00 - (\$225 per hr) |
| 9.5m Barin Underbridge Maintenance Unit Industrial | 1 | \$2000.00 - (\$250 per hr) |
| 12m Moog Underbridge Maintenance Unit | 1 | \$2160.00 - (\$270 per hr) |
| 12m Moog Underbridge Maintenance Units Industrial | 2 | \$2360.00 - (\$295 per hr) |
| 12m Barin Underbridge Maintenance Units Industrial | 1 | \$2360.00 - (\$295 per hr) |
| Cella Underbridge Inspection Units | 2 | \$1840.00 - (\$230 per hr) |

- Daily Rate is 8 hours maximum. After 8 hours, applicable daily rate + overtime applies.
- Overtime rate = "Truck hourly rate" plus \$55.00 per hour (+GST) applies to hire on weekends, Public Holidays and between the hours of 5pm to 6am and any hire hours over 8 continuous hours.
- Minimum call out during the day (0600-1700) or night (1700-0600) is 8 hours including travel time.
- Travel outside the local regional depot area is at 8 hours minimum.
- Toll Fees Apply.

www.ewphire.net.au

EWP Hire Pty Ltd

P: 0488 666 063

E: admin@ewphire.net.au

ABN: 61 162 101 699

P: PO Box 239 West Burleigh QLD 4219

A: 3 Rudman Parade, Burleigh Heads QLD 4220

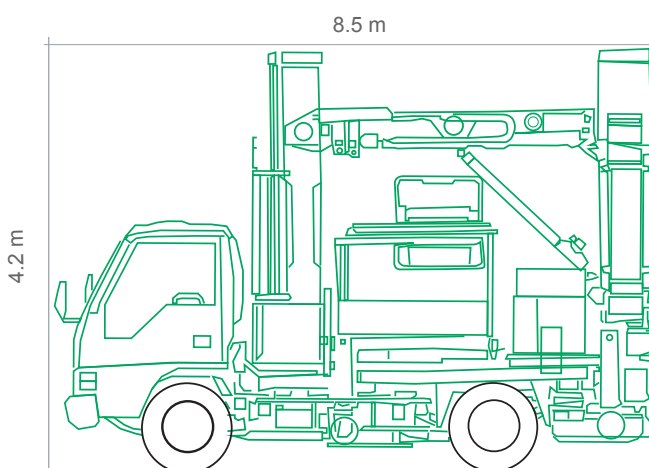
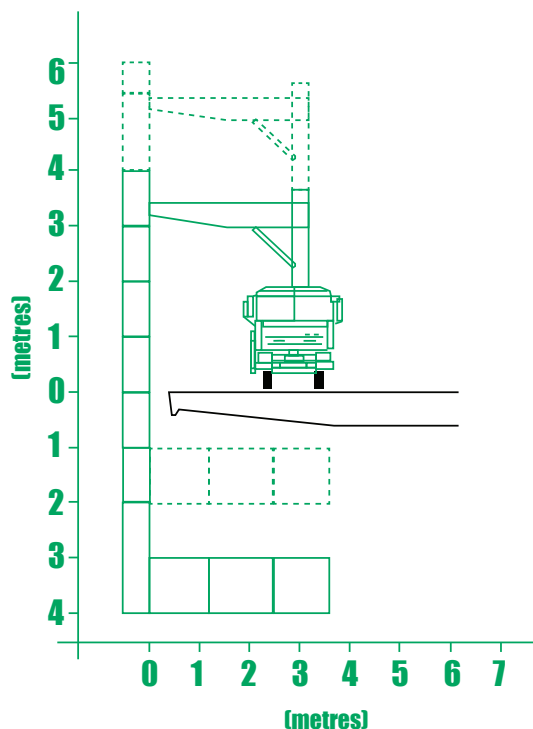
3.6 Metre Light Weight

Aichi

Underbridge Maintenance Unit Unit Number: UBM 10

Specs

| | |
|--|-----------|
| Under bridge working length | 3.7 m |
| Width of platform | 1 m |
| Safe working load | 250 kg |
| Max load at end of telescopic platform | 125 kg |
| Max lowering depth | 4 m |
| Rotation of platform | 180° |
| Space required on bridge | 2.1 m |
| Travelling height (stowed) | 4.2 m |
| Travelling width | 2.1 m |
| Travelling length | 8.5 m |
| Overall weight (approx) | 10,400 kg |



www.ewphire.net.au

EWP Hire Pty Ltd

P: 0488 666 063

E: admin@ewphire.net.au

ABN: 61 162 101 699

P: PO Box 239 West Burleigh QLD 4219

A: 3 Rudman Parade, Burleigh Heads QLD 4220

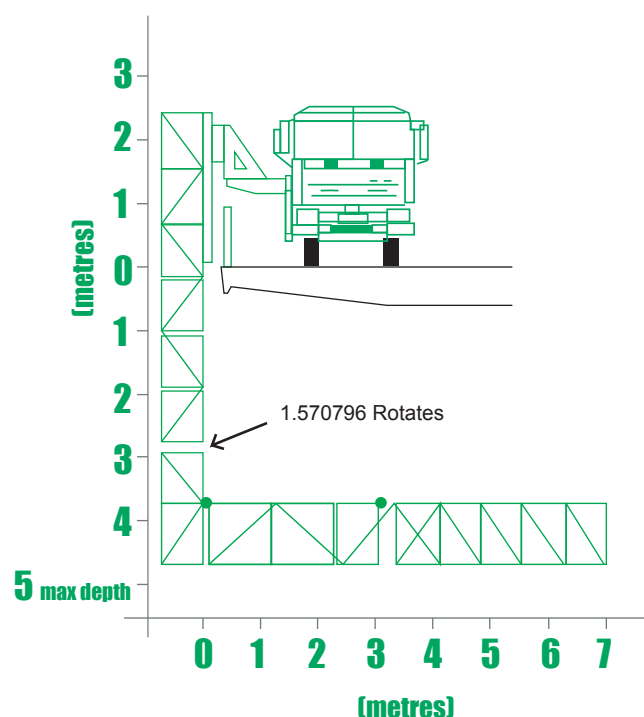
7 Metre Light Weight

Moog

Underbridge Maintenance Unit Unit Number: UBM 4

Specs

| | |
|--|---------|
| Under bridge working length | 7 m |
| Width of platform | 1 m |
| Safe working load | 400 kg |
| Max load at end of telescopic platform | 200 kg |
| Max lowering depth | 5 m |
| Rotation of platform | 180 ° |
| Space required on bridge | 2.5 m |
| Travelling height (stowed) | 3.75 m |
| Overall weight (approx) | 6500 kg |



Additional Equipment

- Generator 6KVA (silenced)
- Compressor 100CFM

www.ewphire.net.au

EWP Hire Pty Ltd

P: 0488 666 063

E: admin@ewphire.net.au

ABN: 61 162 101 699

P: PO Box 239 West Burleigh QLD 4219

A: 3 Rudman Parade, Burleigh Heads QLD 4220

7 Metre

Moog

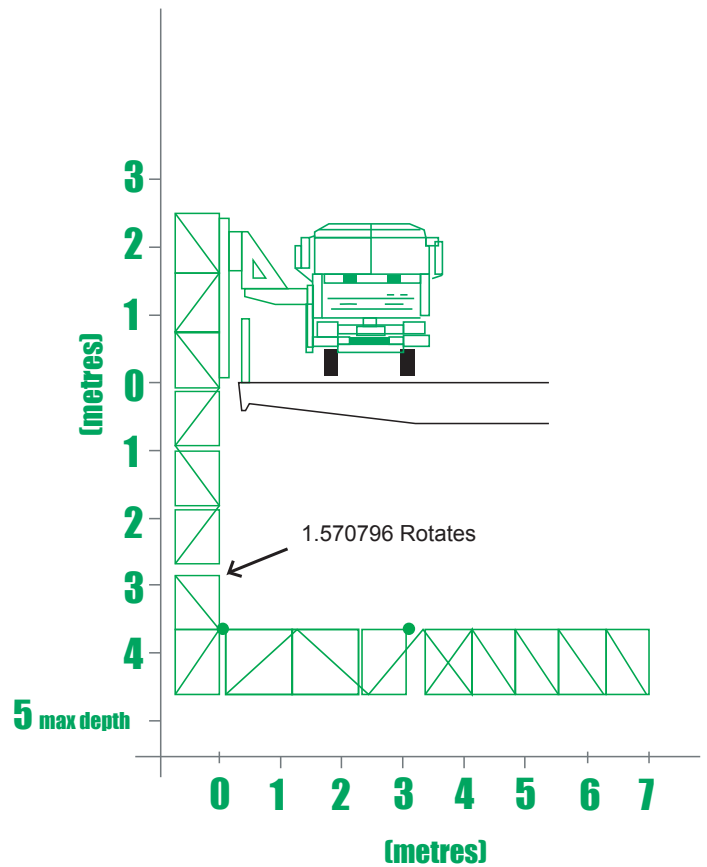
Underbridge Maintenance Unit Unit Number: UBM 6

Specs

| | |
|--|---------|
| Under bridge working length | 7 m |
| Width of platform | 1 m |
| Safe working load | 400 kg |
| Max load at end of telescopic platform | 200 kg |
| Max lowering depth | 5 m |
| Rotation of platform | 180° |
| Space required on bridge | 2.5 m |
| Travelling height (stowed) | 3.75 m |
| Overall weight (approx) | 9400 kg |

Additional Equipment

Generator 6KVA (silenced)



www.ewphire.net.au

EWP Hire Pty Ltd

P: 0488 666 063

E: admin@ewphire.net.au

ABN: 61 162 101 699

P: PO Box 239 West Burleigh QLD 4219

A: 3 Rudman Parade, Burleigh Heads QLD 4220

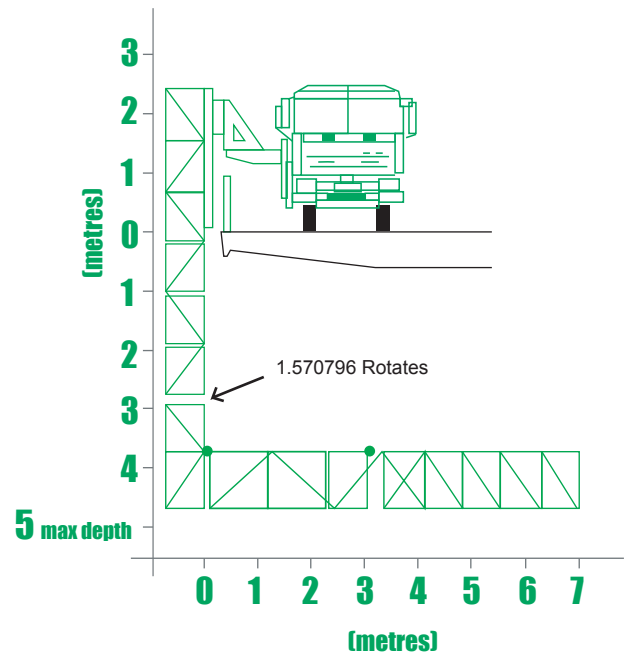
7 Metre Industrial

Moog

Underbridge Maintenance Unit Unit Number: UBM 2

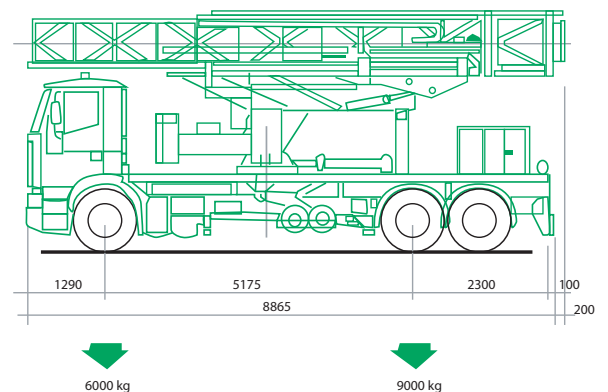
Specs

| | |
|--|-----------|
| Under bridge working length | 7 m |
| Width of platform | 1 m |
| Safe working load | 400 kg |
| Max load at end of telescopic platform | 200 kg |
| Max lowering depth | 5 m |
| Rotation of platform | 180 ° |
| Space required on bridge | 2.5 m |
| Travelling height (stowed) | 3.75 m |
| Overall weight (approx) | 12,500 kg |



Additional Equipment

- Generator 6KVA (silenced)
- Compressor 100CFM
- Gurney 3500psi
- Water Tank



www.ewphire.net.au

EWP Hire Pty Ltd

P: 0488 666 063

E: admin@ewphire.net.au

ABN: 61 162 101 699

P: PO Box 239 West Burleigh QLD 4219

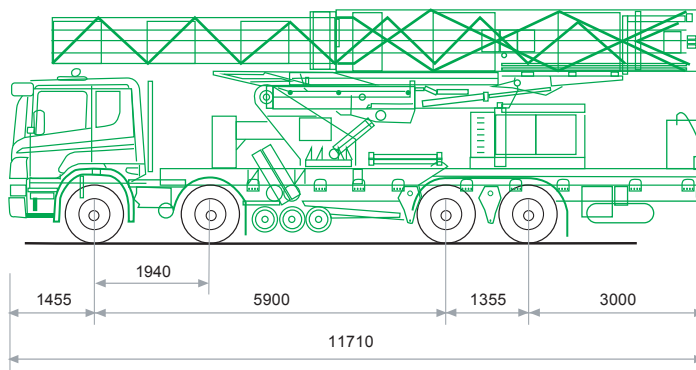
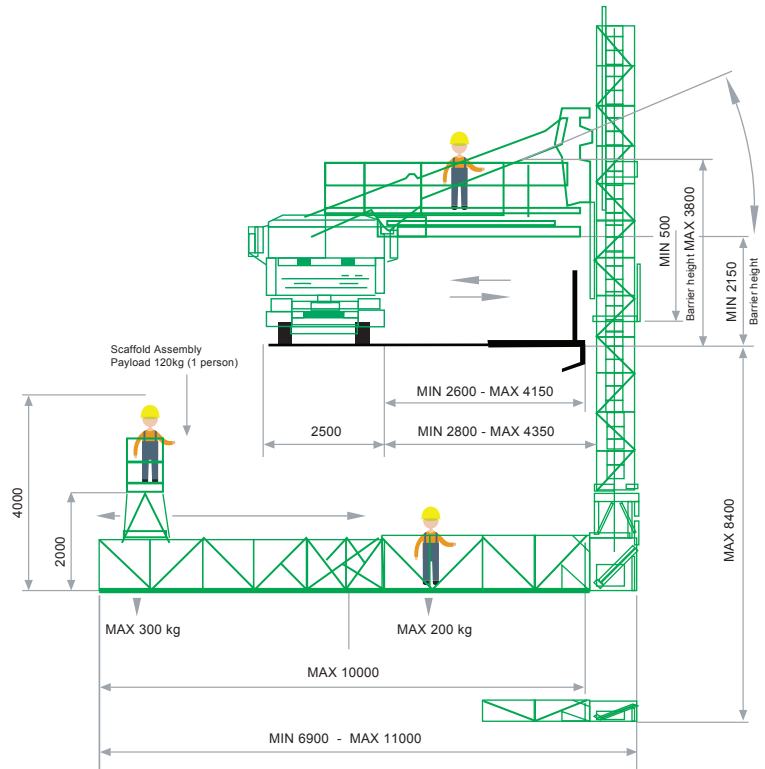
A: 3 Rudman Parade, Burleigh Heads QLD 4220

12 Metre Barin

Underbridge Maintenance Unit Unit Number: UBM 11

Specs

| | |
|--|-----------|
| Under bridge working length | 11 - 13 m |
| Width of platform | 1.2 m |
| Safe working load | 500 kg |
| Max load at end of telescopic platform | 300 kg |
| Max load at scaffold assembly | 120 kg |
| Max lowering depth | 8.4 m |
| Rotation of platform | 180° |
| Space required on bridge | 2.5 m |
| Travelling height (stowed) | 4 m |
| Travelling length | 11.7 m |
| Overall weight (approx) | 26,000 kg |



www.ewphire.net.au

EWP Hire Pty Ltd

P: 0488 666 063

E: admin@ewphire.net.au

ABN: 61 162 101 699

P: PO Box 239 West Burleigh QLD 4219

A: 3 Rudman Parade, Burleigh Heads QLD 4220

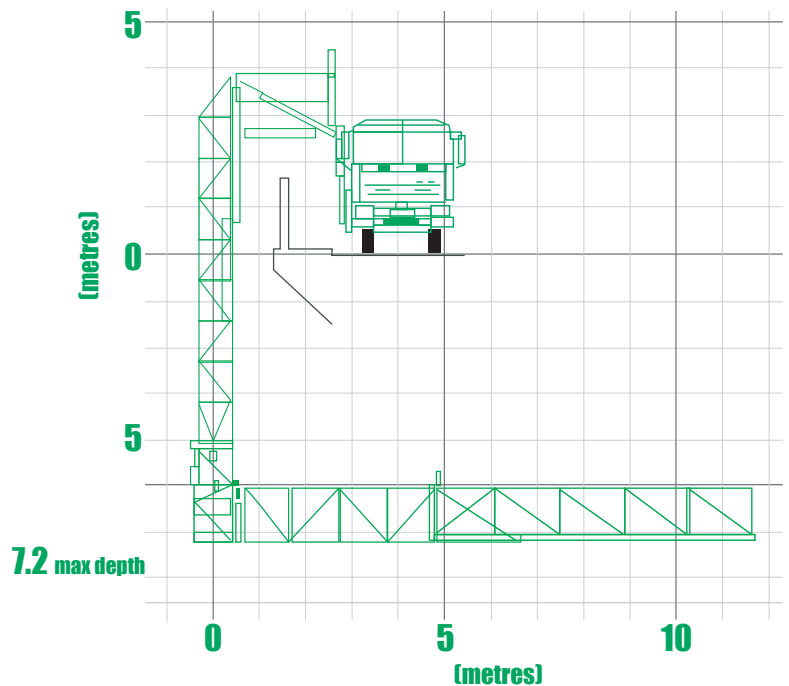
12 Metre

Moog

Underbridge Maintenance Unit Unit Number: UBM 5

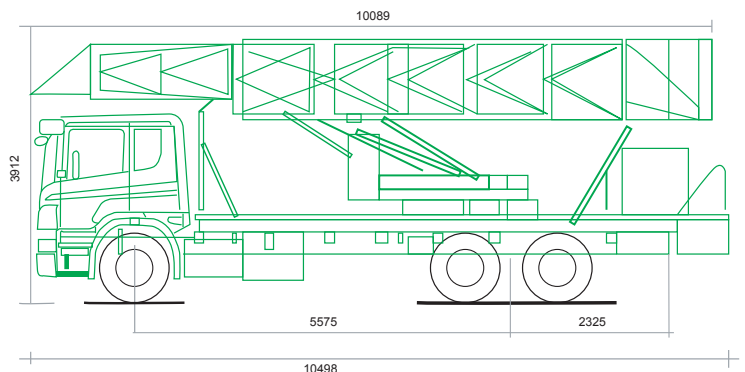
Specs

| | |
|--|-----------|
| Under bridge working length | 11-13 m |
| Width of platform | 1.2 m |
| Safe working load | 500 kg |
| Max load at end of telescopic platform | 250 kg |
| Max lowering depth | 7.2 m |
| Rotation of platform | 180 ° |
| Space required on bridge | 2.5 m |
| Travelling height (stowed) | 4 m |
| Overall weight (approx) | 21,500 kg |



Additional Equipment

Generator 6KVA (silenced)



www.ewphire.net.au

EWP Hire Pty Ltd

P: 0488 666 063

E: admin@ewphire.net.au

ABN: 61 162 101 699

P: PO Box 239 West Burleigh QLD 4219

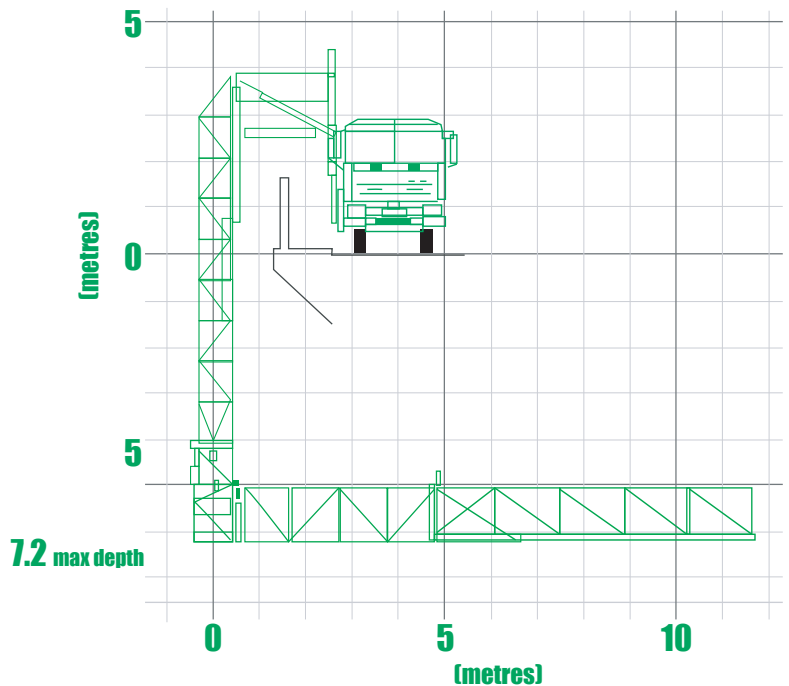
A: 3 Rudman Parade, Burleigh Heads QLD 4220

12 Metre Industrial Moog Underbridge Maintenance Unit

Unit Number: UBM 7 & 8

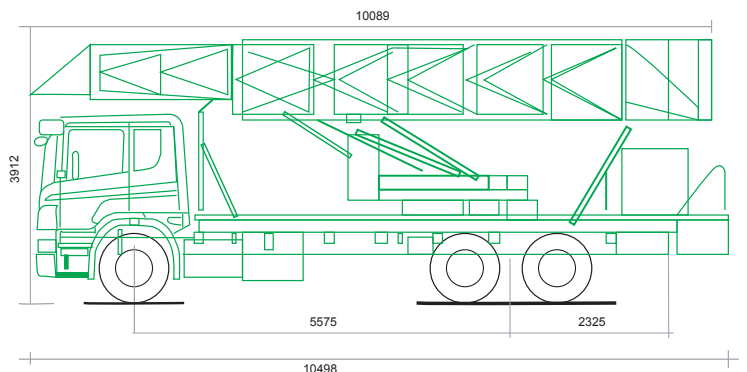
Specs

| | |
|--|-----------|
| Under bridge working length | 11-13 m |
| Width of platform | 1.2 m |
| Safe working load | 500 kg |
| Max load at end of telescopic platform | 250 kg |
| Max lowering depth | 7.2 m |
| Rotation of platform | 180° |
| Space required on bridge | 2.5 m |
| Travelling height (stowed) | 4 m |
| Overall weight (approx) | 23,000 kg |



Additional Equipment

- Generator 6KVA (silenced)
- Compressor 100CFM
- Gurney 3500psi
- Water Tank



www.ewphire.net.au

EWP Hire Pty Ltd

P: 0488 666 063

E: admin@ewphire.net.au

ABN: 61 162 101 699

P: PO Box 239 West Burleigh QLD 4219

A: 3 Rudman Parade, Burleigh Heads QLD 4220

Cella LF 180/SJR Bucket Truck

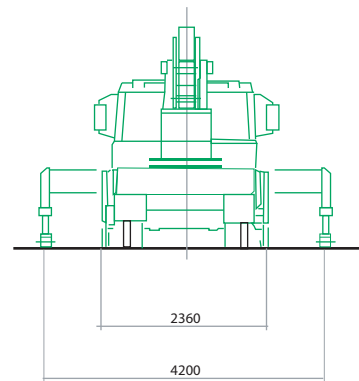
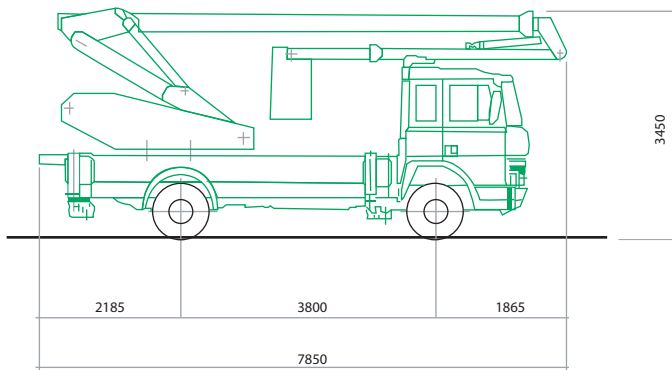
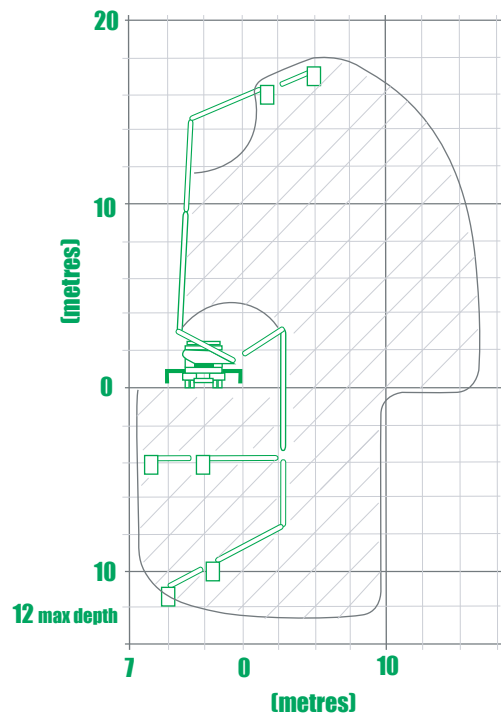
Underbridge Inspection Unit Unit Number: UBI 1 & 2

Specs

| | |
|--|--------------|
| Under bridge working length | 7 m |
| Width of platform | 2 man basket |
| Safe working load | 180 kg |
| Max load at end of telescopic platform | 180 kg |
| Max lowering depth | 12 m |
| Rotation of platform | 360° |
| Space required on bridge | 3.5 m |
| Travelling height (stowed) | 3.45 m |
| Overall weight (approx) | 12,500 kg |

Additional Equipment

Generator 6KVA



www.ewphire.net.au

EWP Hire Pty Ltd

P: 0488 666 063

E: admin@ewphire.net.au

ABN: 61 162 101 699

P: PO Box 239 West Burleigh QLD 4219

A: 3 Rudman Parade, Burleigh Heads QLD 4220