

# Rates and Specifications

for all our

## Under Bridge Units



[www.ewphire.net.au](http://www.ewphire.net.au)

**EWP Hire Pty Ltd**

P: 0488 666 063

E: [admin@ewphire.net.au](mailto:admin@ewphire.net.au)

ABN: 61 162 101 699

P: PO Box 239 West Burleigh QLD 4219

A: 3 Rudman Parade, Burleigh Heads QLD 4220

# Rates for 2019

Unit Description	Quantity	Wet Hire Daily Rate (excl GST)
3.6m Aichi Underbridge Maintenance Units	1	\$1840.00
7m Moog Underbridge Maintenance Units	2	\$1600.00
7m Moog Underbridge Maintenance Unit Industrial	1	\$1800.00
9.5m Barin Underbridge Maintenance Unit Industrial	1	\$2000.00
12m Moog Underbridge Maintenance Unit	1	\$2160.00
12m Moog Underbridge Maintenance Units Industrial	2	\$2360.00
Cella Underbridge Inspection Units	2	\$1840.00

- Daily Rate is 8 hours maximum
- An overtime rate of \$45.00 per hour (+GST) applies to work undertaken on Weekends, Public Holidays and between the hours of 5pm to 6am.
- Minimum call out during the day (0600-1700) or night (1700-0600) is 8 hours including travel time.

[www.ewphire.net.au](http://www.ewphire.net.au)

**EWP Hire Pty Ltd**

P: 0488 666 063

E: [admin@ewphire.net.au](mailto:admin@ewphire.net.au)

ABN: 61 162 101 699

P: PO Box 239 West Burleigh QLD 4219

A: 3 Rudman Parade, Burleigh Heads QLD 4220

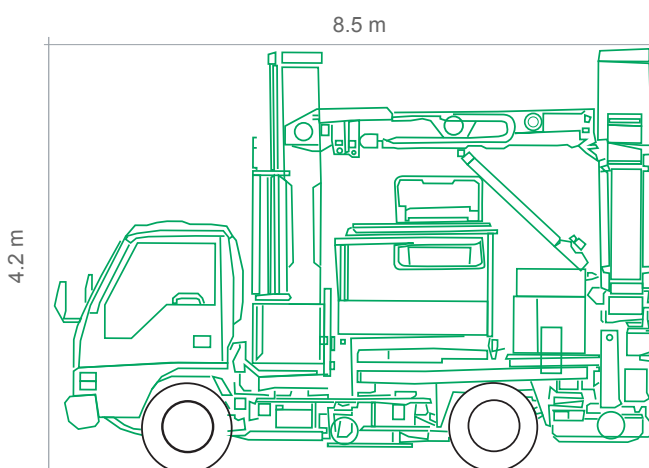
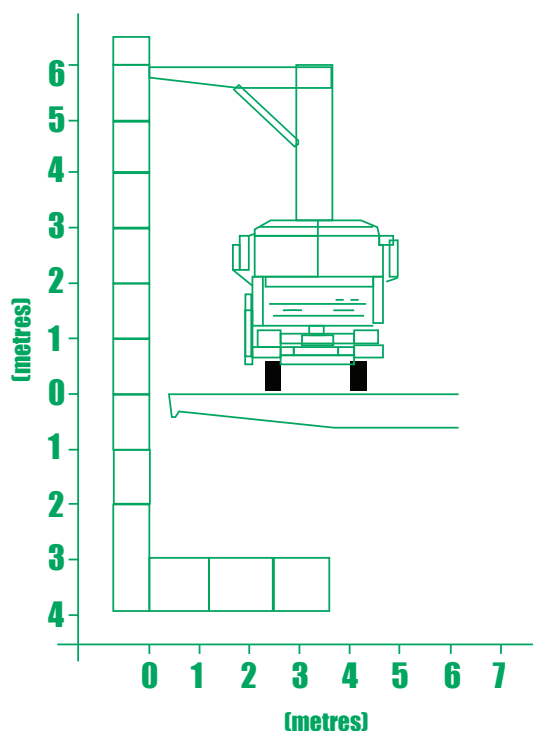
# 3.6 Metre Light Weight

## Aichi

### Underbridge Maintenance Unit Unit Number: UBM 10

## Specs

Under bridge working length	3.7 m
Width of platform	1 m
Safe working load	250 kg
Max load at end of telescopic platform	125 kg
Max lowering depth	4 m
Rotation of platform	180°
Space required on bridge	2.1 m
Travelling height (stowed)	4.2 m
Travelling width	2.1 m
Travelling length	8.5 m
Overall weight (approx)	10,400 kg



[www.ewphire.net.au](http://www.ewphire.net.au)

**EWP Hire Pty Ltd**

P: 0488 666 063

E: [admin@ewphire.net.au](mailto:admin@ewphire.net.au)

ABN: 61 162 101 699

P: PO Box 239 West Burleigh QLD 4219

A: 3 Rudman Parade, Burleigh Heads QLD 4220

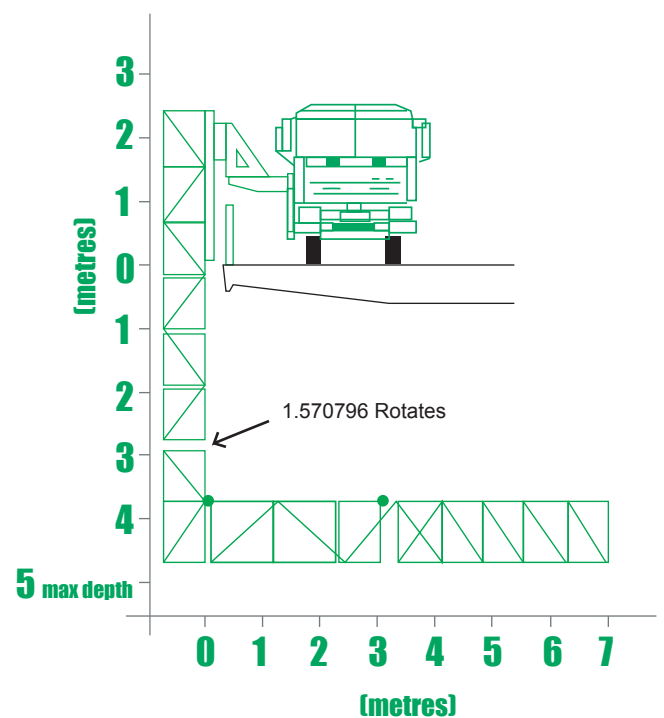
# 7 Metre Light Weight

## Moog

### Underbridge Maintenance Unit Unit Number: UBM 4

## Specs

Under bridge working length	7 m
Width of platform	1 m
Safe working load	400 kg
Max load at end of telescopic platform	200 kg
Max lowering depth	5 m
Rotation of platform	180 °
Space required on bridge	2.5 m
Travelling height (stowed)	3.75 m
Overall weight (approx)	6500 kg



## Additional Equipment

- Generator 6KVA (silenced)
- Compressor 100CFM

[www.ewphire.net.au](http://www.ewphire.net.au)

**EWP Hire Pty Ltd**

P: 0488 666 063

E: [admin@ewphire.net.au](mailto:admin@ewphire.net.au)

ABN: 61 162 101 699

P: PO Box 239 West Burleigh QLD 4219

A: 3 Rudman Parade, Burleigh Heads QLD 4220

# 7 Metre

## Moog

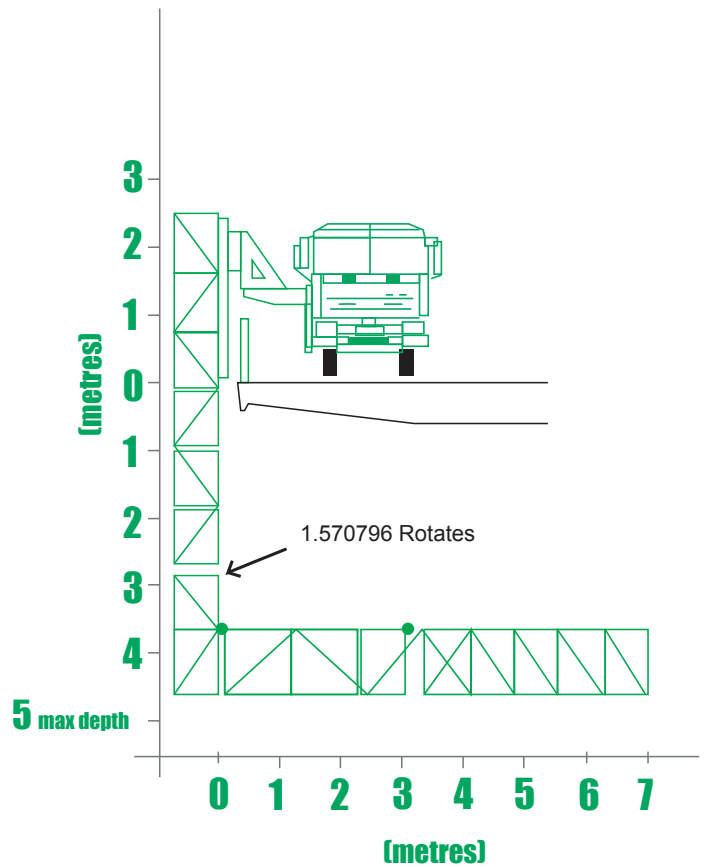
### Underbridge Maintenance Unit Unit Number: UBM 6

#### Specs

Under bridge working length	7 m
Width of platform	1 m
Safe working load	400 kg
Max load at end of telescopic platform	200 kg
Max lowering depth	5 m
Rotation of platform	180°
Space required on bridge	2.5 m
Travelling height (stowed)	3.75 m
Overall weight (approx)	9400 kg

#### Additional Equipment

Generator 6KVA (silenced)



[www.ewphire.net.au](http://www.ewphire.net.au)

**EWP Hire Pty Ltd**

P: 0488 666 063

E: [admin@ewphire.net.au](mailto:admin@ewphire.net.au)

ABN: 61 162 101 699

P: PO Box 239 West Burleigh QLD 4219

A: 3 Rudman Parade, Burleigh Heads QLD 4220

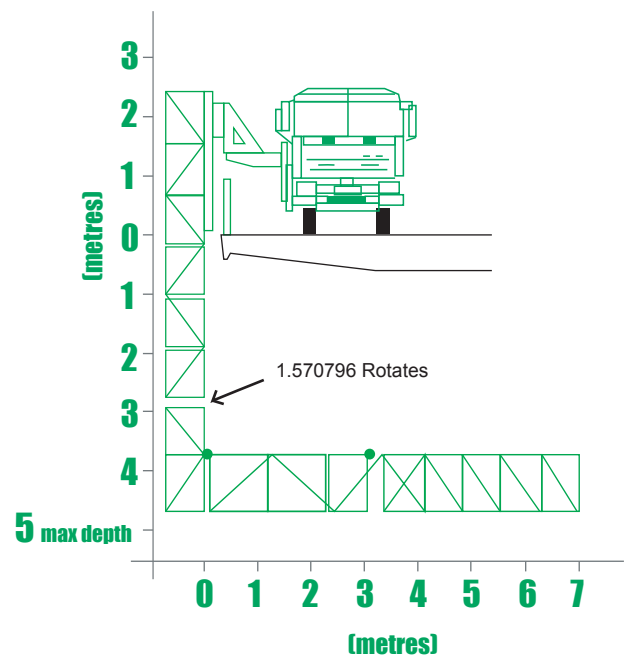
# 7 Metre Industrial

## Moog

### Underbridge Maintenance Unit Unit Number: UBM 2

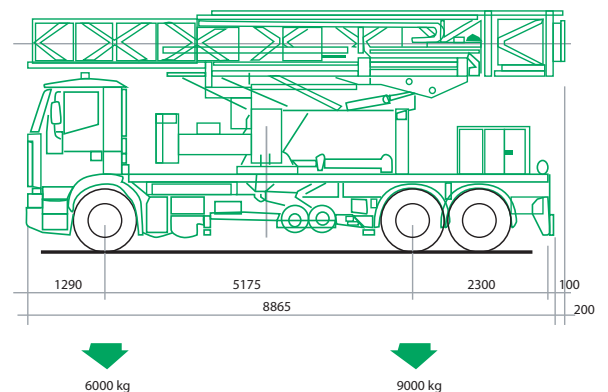
## Specs

Under bridge working length	7 m
Width of platform	1 m
Safe working load	400 kg
Max load at end of telescopic platform	200 kg
Max lowering depth	5 m
Rotation of platform	180 °
Space required on bridge	2.5 m
Travelling height (stowed)	3.75 m
Overall weight (approx)	12,500 kg



## Additional Equipment

- Generator 6KVA (silenced)
- Compressor 100CFM
- Gurney 3500psi
- Water Tank



[www.ewphire.net.au](http://www.ewphire.net.au)

**EWP Hire Pty Ltd**

P: 0488 666 063

E: [admin@ewphire.net.au](mailto:admin@ewphire.net.au)

ABN: 61 162 101 699

P: PO Box 239 West Burleigh QLD 4219

A: 3 Rudman Parade, Burleigh Heads QLD 4220

# 9.5 Metre Industrial

## Barin S.P.A

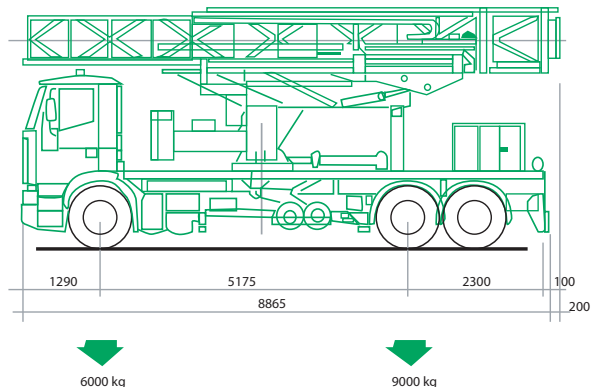
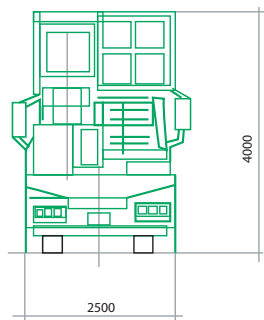
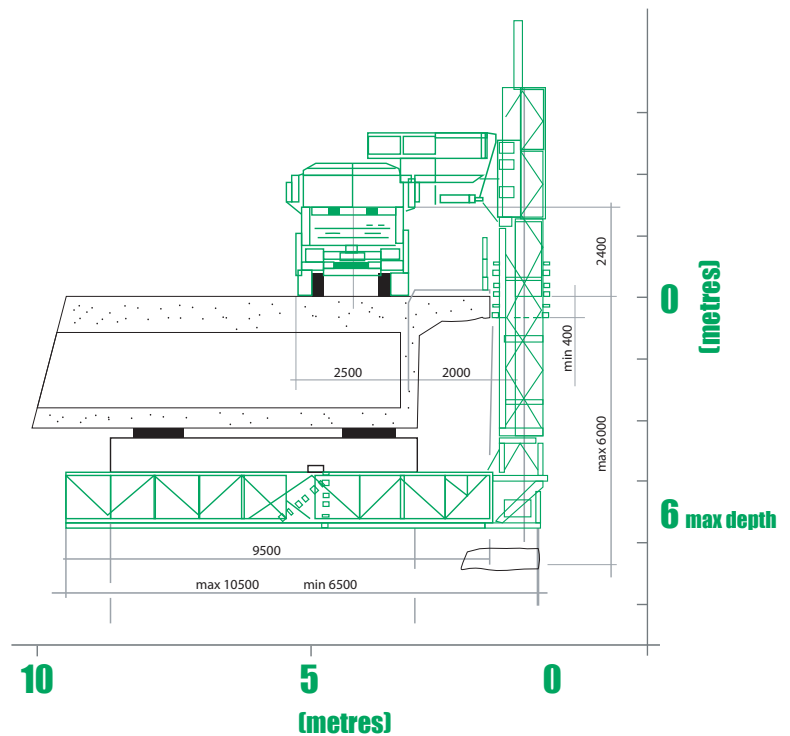
### Underbridge Maintenance Unit Unit Number: UBM 1

## Specs

Under bridge working length	9.5 m
Width of platform	1.2 m
Safe working load	500 kg
Max load at end of telescopic platform	250 kg
Max lowering depth	6 m
Rotation of platform	180°
Space required on bridge	2.5 m
Travelling height (stowed)	4 m
Overall weight (approx)	21,500 kg

## Additional Equipment

- Generator 6KVA (silenced)
- Compressor 100CFM
- Gurney 3500psi
- Water Tank



[www.ewphire.net.au](http://www.ewphire.net.au)

**EWP Hire Pty Ltd**

P: 0488 666 063

E: [admin@ewphire.net.au](mailto:admin@ewphire.net.au)

ABN: 61 162 101 699

P: PO Box 239 West Burleigh QLD 4219

A: 3 Rudman Parade, Burleigh Heads QLD 4220

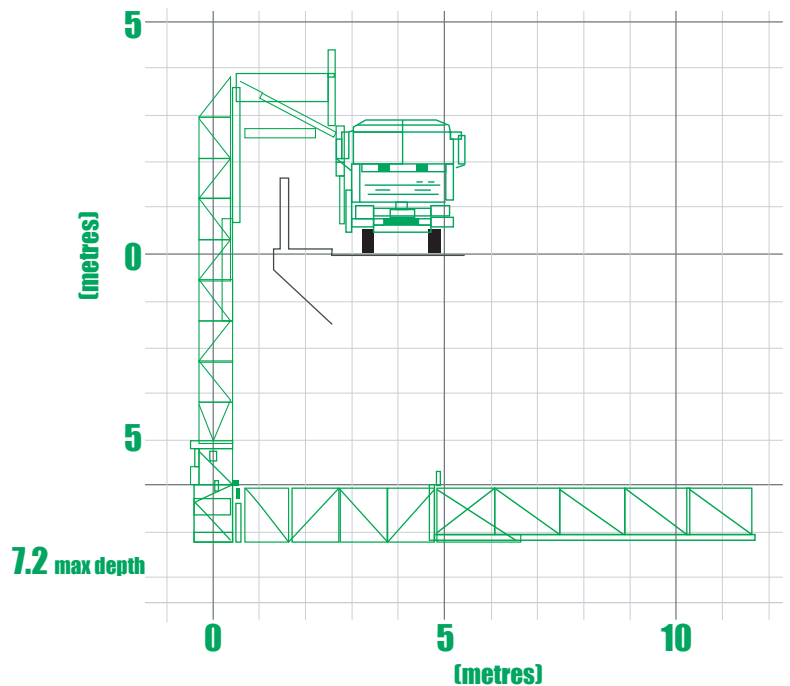
# 12 Metre

## Moog

### Underbridge Maintenance Unit Unit Number: UBM 5

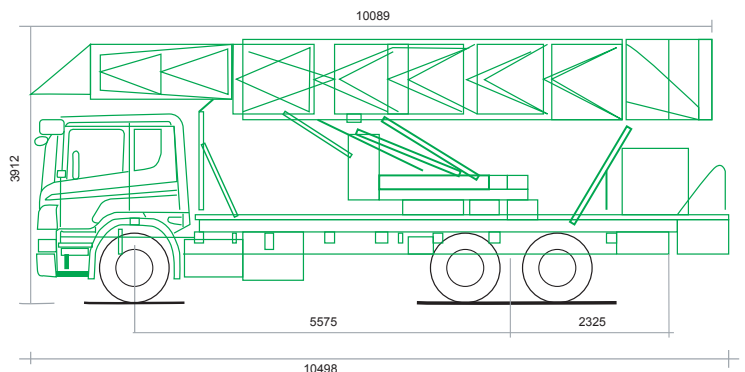
## Specs

Under bridge working length	11-13 m
Width of platform	1.2 m
Safe working load	500 kg
Max load at end of telescopic platform	250 kg
Max lowering depth	7.2 m
Rotation of platform	180 °
Space required on bridge	2.5 m
Travelling height (stowed)	4 m
Overall weight (approx)	21,500 kg



## Additional Equipment

Generator 6KVA (silenced)



[www.ewphire.net.au](http://www.ewphire.net.au)

**EWP Hire Pty Ltd**

P: 0488 666 063

E: [admin@ewphire.net.au](mailto:admin@ewphire.net.au)

ABN: 61 162 101 699

P: PO Box 239 West Burleigh QLD 4219

A: 3 Rudman Parade, Burleigh Heads QLD 4220

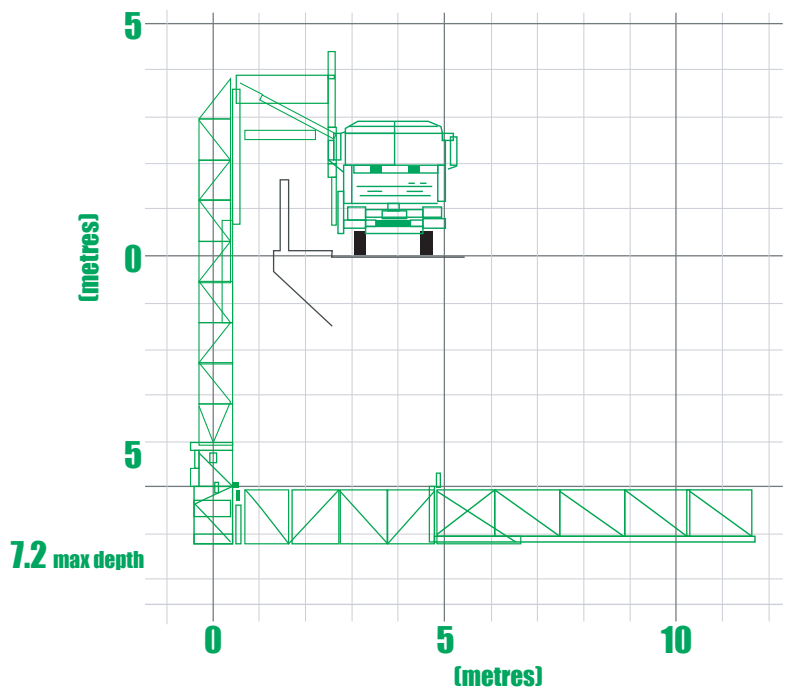


# 12 Metre Industrial Moog Underbridge Maintenance Unit

Unit Number: UBM 7 & 8

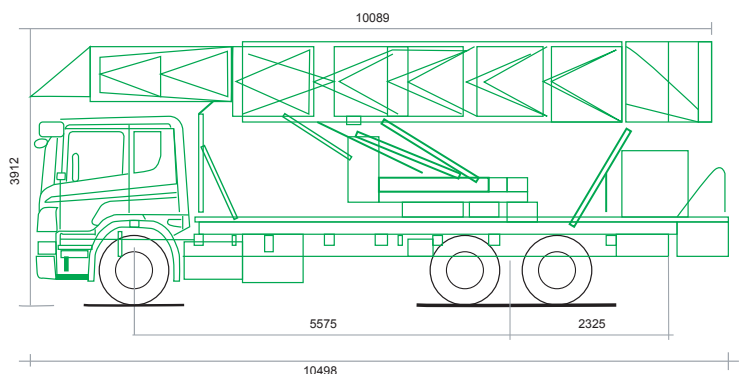
## Specs

Under bridge working length	11-13 m
Width of platform	1.2 m
Safe working load	500 kg
Max load at end of telescopic platform	250 kg
Max lowering depth	7.2 m
Rotation of platform	180°
Space required on bridge	2.5 m
Travelling height (stowed)	4 m
Overall weight (approx)	23,000 kg



## Additional Equipment

- Generator 6KVA (silenced)
- Compressor 100CFM
- Gurney 3500psi
- Water Tank



[www.ewphire.net.au](http://www.ewphire.net.au)

**EWP Hire Pty Ltd**

P: 0488 666 063

E: [admin@ewphire.net.au](mailto:admin@ewphire.net.au)

ABN: 61 162 101 699

P: PO Box 239 West Burleigh QLD 4219

A: 3 Rudman Parade, Burleigh Heads QLD 4220

# Cella LF 180/SJR Bucket Truck

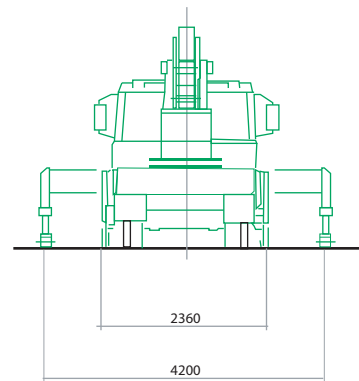
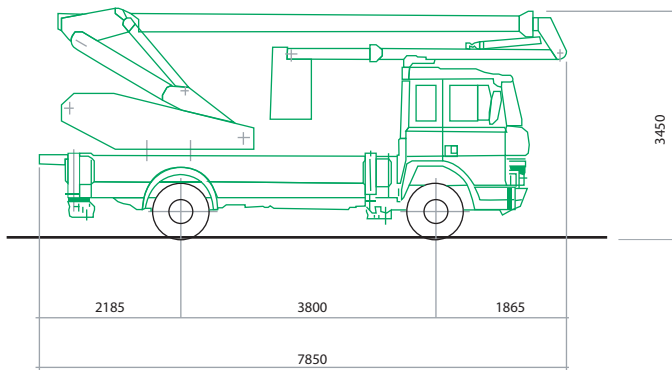
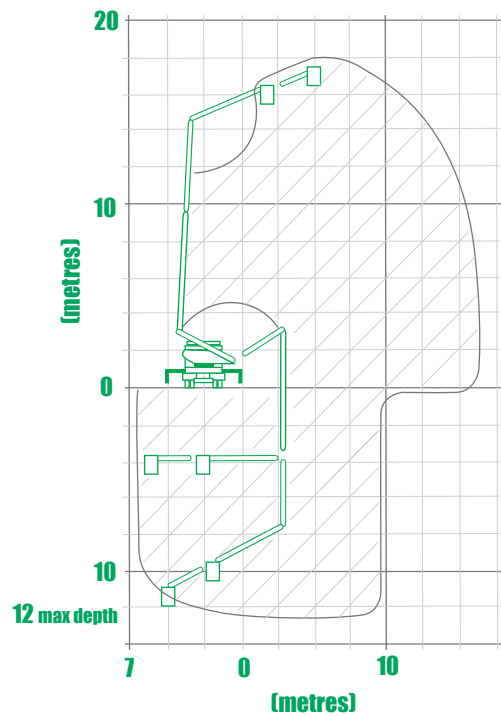
## Underbridge Inspection Unit Unit Number: UBI 1 & 2

### Specs

Under bridge working length	7 m
Width of platform	2 man basket
Safe working load	180 kg
Max load at end of telescopic platform	180 kg
Max lowering depth	12 m
Rotation of platform	360°
Space required on bridge	3.5 m
Travelling height (stowed)	3.45 m
Overall weight (approx)	12,500 kg

### Additional Equipment

Generator 6KVA



[www.ewphire.net.au](http://www.ewphire.net.au)

**EWP Hire Pty Ltd**

P: 0488 666 063

E: [admin@ewphire.net.au](mailto:admin@ewphire.net.au)

ABN: 61 162 101 699

P: PO Box 239 West Burleigh QLD 4219

A: 3 Rudman Parade, Burleigh Heads QLD 4220