

Rates and Specifications

for all our

Under Bridge Units



www.ewphire.net.au

EWP Hire Pty Ltd

P: 0488 666 063

E: admin@ewphire.net.au

ABN: 61 162 101 699

P: PO Box 239 West Burleigh QLD 4219

A: 3 Rudman Parade, Burleigh Heads QLD 4220

Rates for 2018

Unit Description	Quantity	Wet Hire per hour (excl GST)
7m Moog Underbridge Maintenance Units	2	\$200.00
7m Moog Underbridge Maintenance Unit Industrial	1	\$225.00
9.5m Barin Underbridge Maintenance Unit Industrial	1	\$250.00
12m Moog Underbridge Maintenance Unit	1	\$270.00
12m Moog Underbridge Maintenance Units Industrial	2	\$295.00
Cella Underbridge Inspection Units	2	\$230.00

- An overtime rate of \$45.00 per hour (+GST) applies to work undertaken on Weekends, Public Holidays and between the hours of 5pm to 6am.
- Minimum hire per day is 8 hours including travel time.

www.ewphire.net.au

EWP Hire Pty Ltd

P: 0488 666 063

E: admin@ewphire.net.au

ABN: 61 162 101 699

P: PO Box 239 West Burleigh QLD 4219

A: 3 Rudman Parade, Burleigh Heads QLD 4220

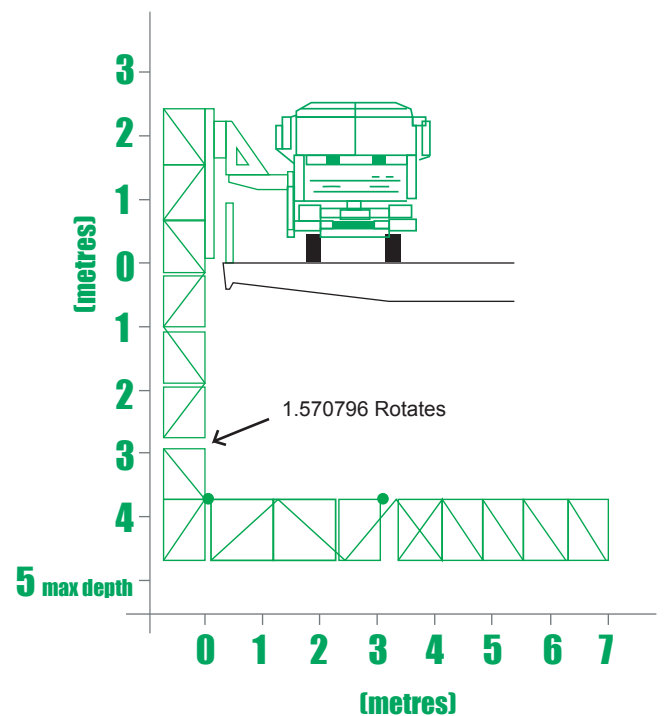
7 Metre Light Weight

Moog

Underbridge Maintenance Unit Unit Number: UBM 4

Specs

Under bridge working length	7 m
Width of platform	1 m
Safe working load	400 kg
Max load at end of telescopic platform	200 kg
Max lowering depth	5 m
Rotation of platform	180 °
Space required on bridge	2.5 m
Travelling height (stowed)	3.75 m
Overall weight (approx)	6500 kg



Additional Equipment

- Generator 6KVA (silenced)
- Compressor 100CFM

www.ewphire.net.au

EWP Hire Pty Ltd

P: 0488 666 063

E: admin@ewphire.net.au

ABN: 61 162 101 699

P: PO Box 239 West Burleigh QLD 4219

A: 3 Rudman Parade, Burleigh Heads QLD 4220

7 Metre

Moog

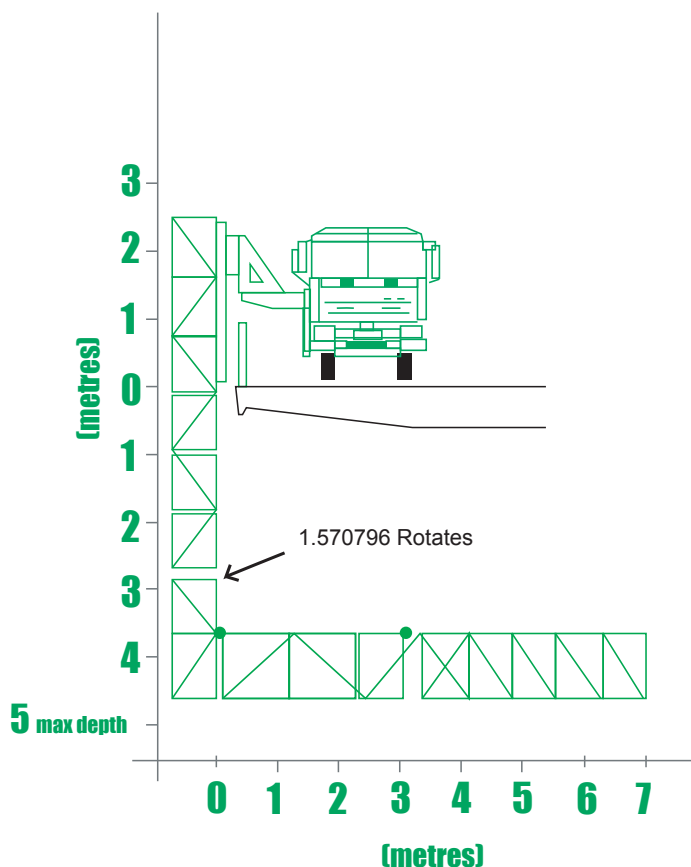
Underbridge Maintenance Unit Unit Number: UBM 6

Specs

Under bridge working length	7 m
Width of platform	1 m
Safe working load	400 kg
Max load at end of telescopic platform	200 kg
Max lowering depth	5 m
Rotation of platform	180°
Space required on bridge	2.5 m
Travelling height (stowed)	4 m
Overall weight (approx)	9400 kg

Additional Equipment

Generator 6KVA (silenced)



www.ewphire.net.au

EWP Hire Pty Ltd

P: 0488 666 063

E: admin@ewphire.net.au

ABN: 61 162 101 699

P: PO Box 239 West Burleigh QLD 4219

A: 3 Rudman Parade, Burleigh Heads QLD 4220

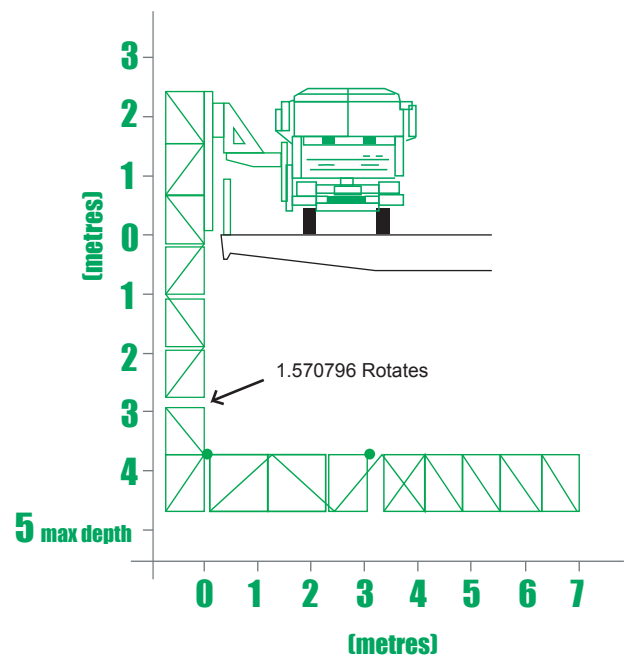
7 Metre Industrial

Moog

Underbridge Maintenance Unit Unit Number: UBM 2

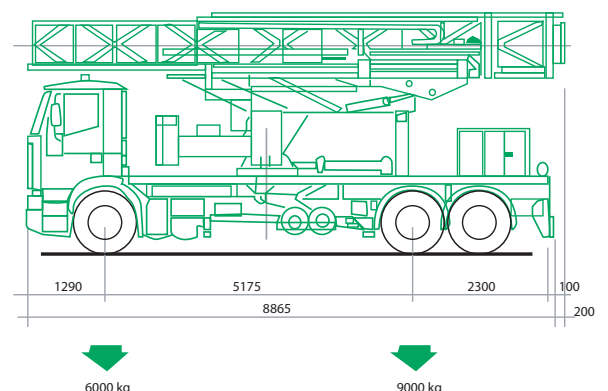
Specs

Under bridge working length	7 m
Width of platform	1 m
Safe working load	400 kg
Max load at end of telescopic platform	200 kg
Max lowering depth	5 m
Rotation of platform	180 °
Space required on bridge	2.5 m
Travelling height (stowed)	3.75 m
Overall weight (approx)	12,500 kg



Additional Equipment

- Generator 6KVA (silenced)
- Compressor 100CFM
- Gurney 3500psi
- Water Tank



www.ewphire.net.au

EWP Hire Pty Ltd

P: 0488 666 063

E: admin@ewphire.net.au

ABN: 61 162 101 699

P: PO Box 239 West Burleigh QLD 4219

A: 3 Rudman Parade, Burleigh Heads QLD 4220

9.5 Metre Industrial

Barin S.P.A

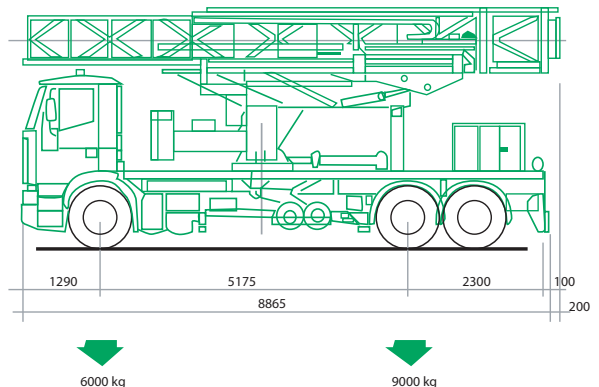
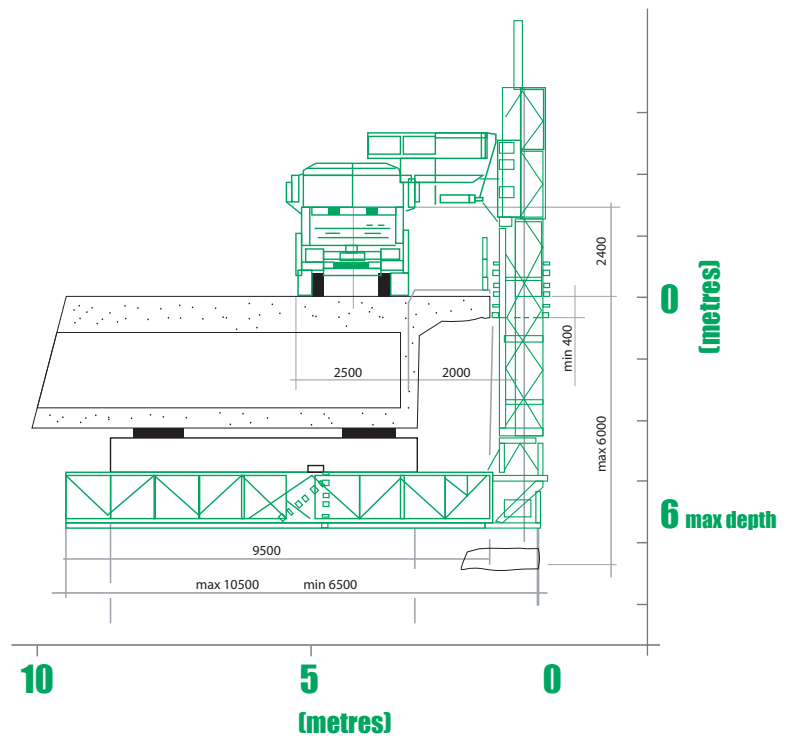
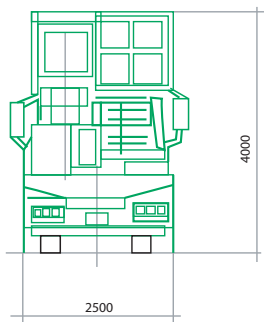
Underbridge Maintenance Unit Unit Number: UBM 1

Specs

Under bridge working length	9.5 m
Width of platform	1.2 m
Safe working load	500 kg
Max load at end of telescopic platform	250 kg
Max lowering depth	6 m
Rotation of platform	180°
Space required on bridge	2.5 m
Travelling height (stowed)	4 m
Overall weight (approx)	21,500 kg

Additional Equipment

- Generator 6KVA (silenced)
- Compressor 100CFM
- Gurney 3500psi
- Water Tank



www.ewphire.net.au

EWP Hire Pty Ltd

P: 0488 666 063

E: admin@ewphire.net.au

ABN: 61 162 101 699

P: PO Box 239 West Burleigh QLD 4219

A: 3 Rudman Parade, Burleigh Heads QLD 4220

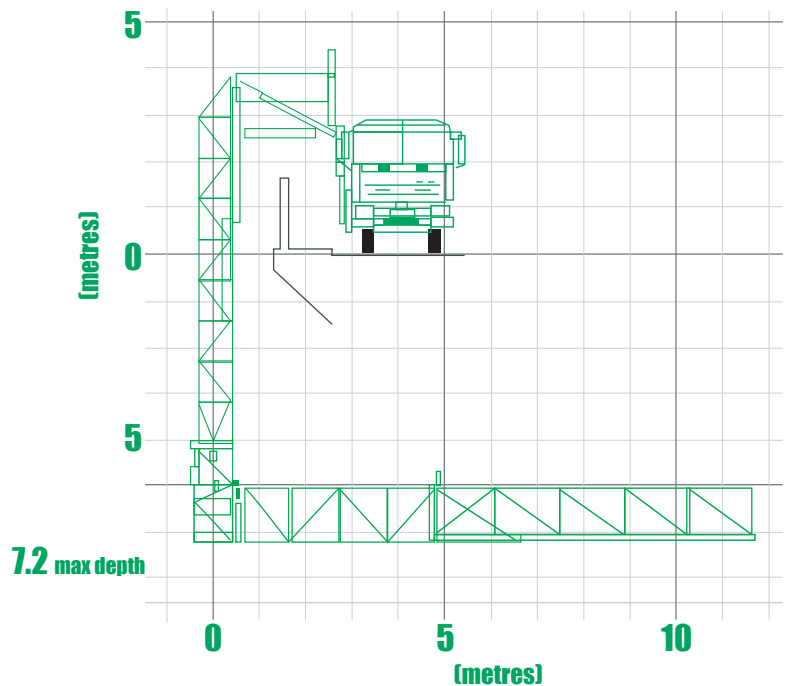
12 Metre

Moog

Underbridge Maintenance Unit Unit Number: UBM 5

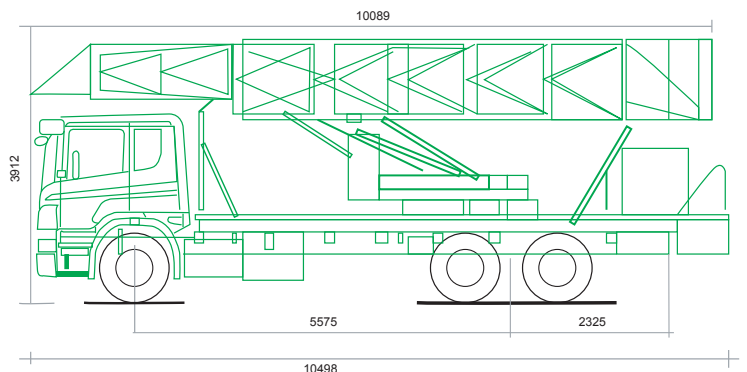
Specs

Under bridge working length	11-13 m
Width of platform	1.2 m
Safe working load	500 kg
Max load at end of telescopic platform	250 kg
Max lowering depth	7.2 m
Rotation of platform	180 °
Space required on bridge	2.5 m
Travelling height (stowed)	4 m
Overall weight (approx)	21,500 kg



Additional Equipment

Generator 6KVA (silenced)



www.ewphire.net.au

EWP Hire Pty Ltd

P: 0488 666 063

E: admin@ewphire.net.au

ABN: 61 162 101 699

P: PO Box 239 West Burleigh QLD 4219

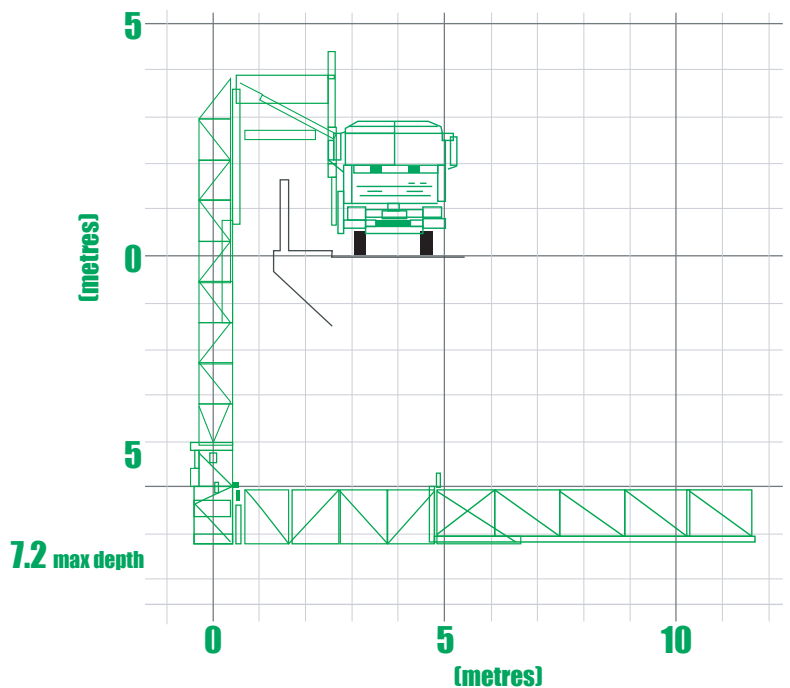
A: 3 Rudman Parade, Burleigh Heads QLD 4220

12 Metre Industrial Moog Underbridge Maintenance Unit

Unit Number: UBM 7 & 8

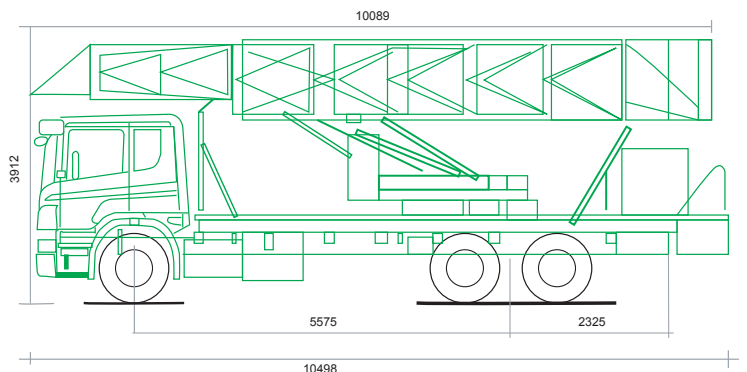
Specs

Under bridge working length	11-13 m
Width of platform	1.2 m
Safe working load	500 kg
Max load at end of telescopic platform	250 kg
Max lowering depth	7.2 m
Rotation of platform	180°
Space required on bridge	2.5 m
Travelling height (stowed)	4 m
Overall weight (approx)	23,000 kg



Additional Equipment

- Generator 6KVA (silenced)
- Compressor 100CFM
- Gurney 3500psi
- Water Tank



www.ewphire.net.au

EWP Hire Pty Ltd

P: 0488 666 063

E: admin@ewphire.net.au

ABN: 61 162 101 699

P: PO Box 239 West Burleigh QLD 4219

A: 3 Rudman Parade, Burleigh Heads QLD 4220

Cella LF 180/SJR Bucket Truck

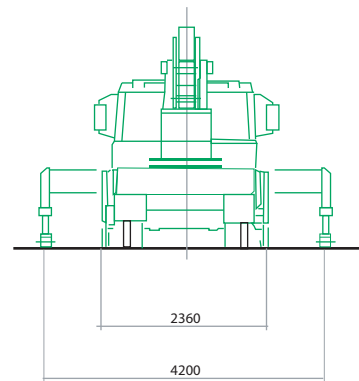
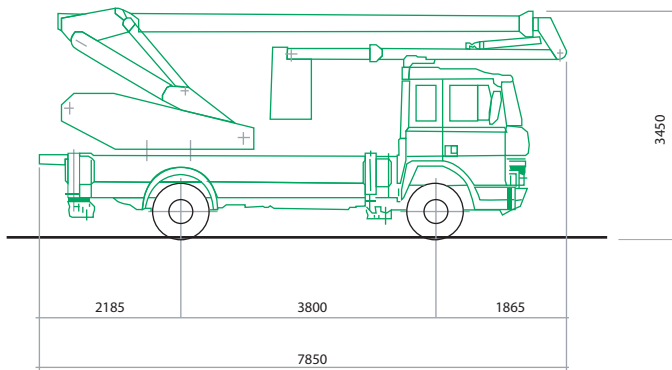
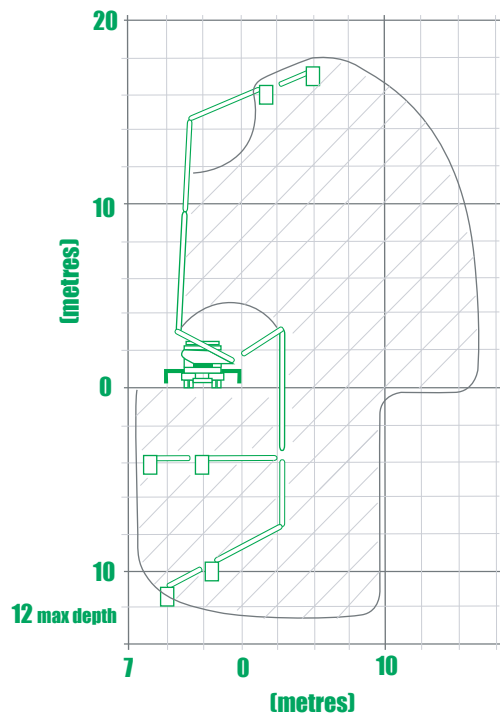
Underbridge Inspection Unit Unit Number: UBI 1 & 2

Specs

Under bridge working length	7 m
Width of platform	2 man basket
Safe working load	180 kg
Max load at end of telescopic platform	180 kg
Max lowering depth	12 m
Rotation of platform	360°
Space required on bridge	3.5 m
Travelling height (stowed)	3.45 m
Overall weight (approx)	12,500 kg

Additional Equipment

Generator 6KVA



www.ewphire.net.au

EWP Hire Pty Ltd

P: 0488 666 063

E: admin@ewphire.net.au

ABN: 61 162 101 699

P: PO Box 239 West Burleigh QLD 4219

A: 3 Rudman Parade, Burleigh Heads QLD 4220