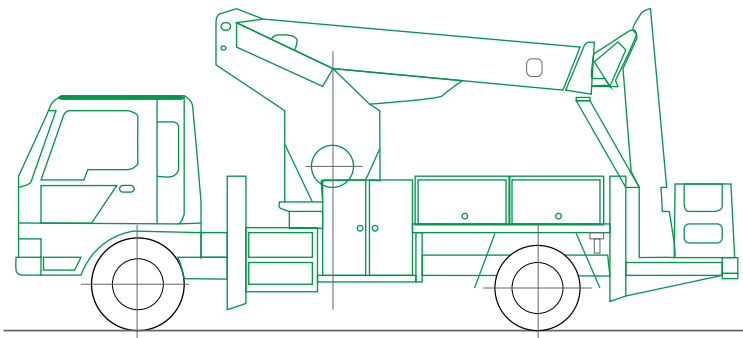
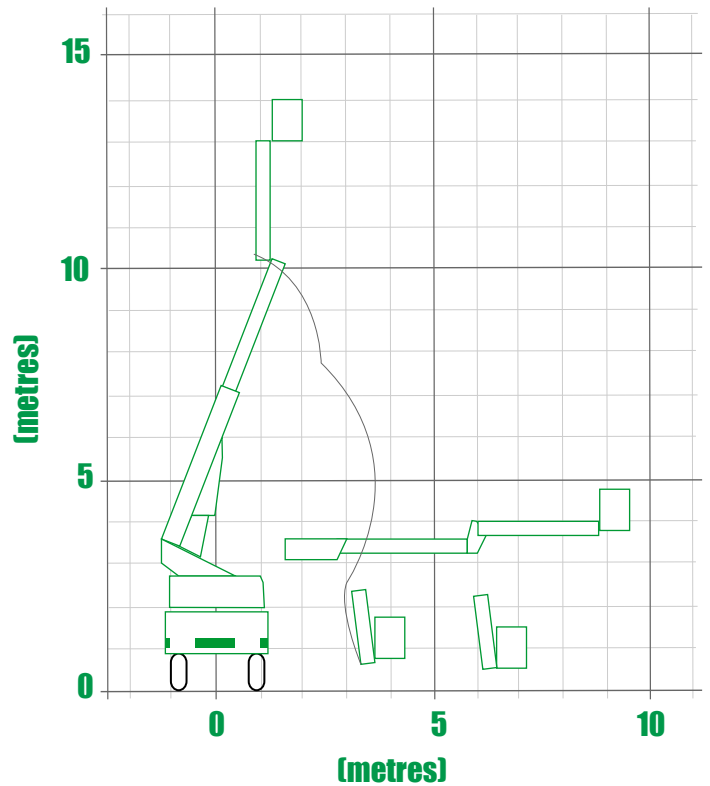


# 15 Metre Redmond Gary Elevated Work Platform

Unit Number: Unit 9

## Specs

Max Working Height	15 m
Working Radius at Max Height	2 m
Safe Working Load	325 kg
Max Working Radius	10 m
Max Stabiliser Spread	2.44 m
Travelling Height	3.80 m
Travelling Width	2.44 m
Travelling Length	7.9 m
Overall Weight	12,500 kg
Basket Rotation	Nil



[www.ewphire.net.au](http://www.ewphire.net.au)

**EWP Hire Pty Ltd**

P: 0488 666 063

E: [admin@ewphire.net.au](mailto:admin@ewphire.net.au)

ABN: 61 162 101 699

P: PO Box 239 West Burleigh QLD 4219

A: 3 Rudman Parade, Burleigh Heads QLD 4220