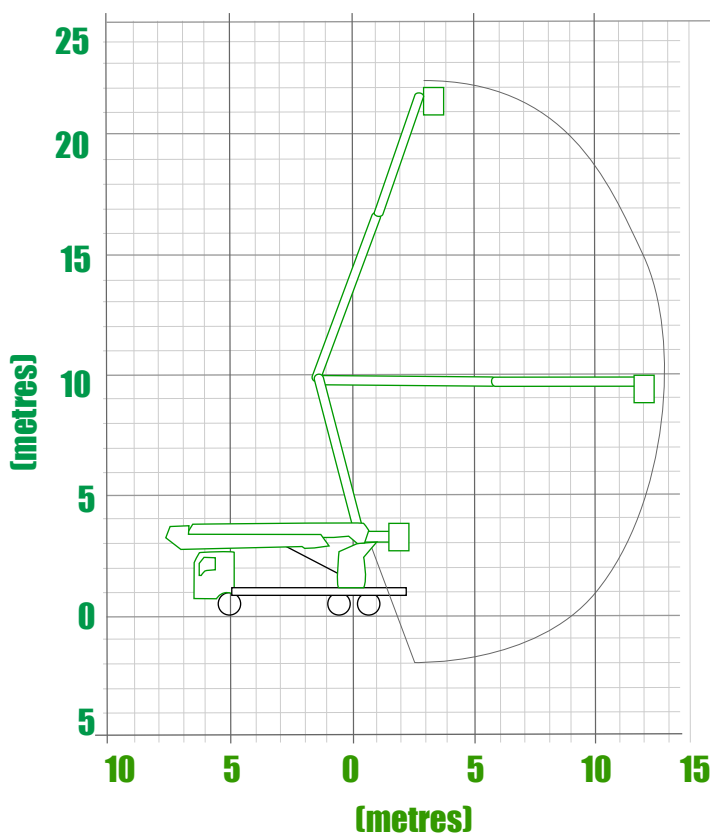


23 Metre Elevated Work Platform

Unit Number: Unit 8, 10 & 13

Specs

Max Working Height	23 m
Working Radius at Max Height	4.50 m
Safe Working Load	250 kg
Max Working Radius	13 m
Max Stabiliser Spread	4.30 m
Travelling Height	3.70 m
Travelling Width	2.50 m
Travelling Length	9.50 m
Overall Weight	13,000 kg
Basket Rotation	Nil



www.ewphire.net.au

EWP Hire Pty Ltd

P: 0488 666 063

E: admin@ewphire.net.au

ABN: 61 162 101 699

P: PO Box 239 West Burleigh QLD 4219

A: 3 Rudman Parade, Burleigh Heads QLD 4220