

Cella LF 180/SJR Bucket Truck

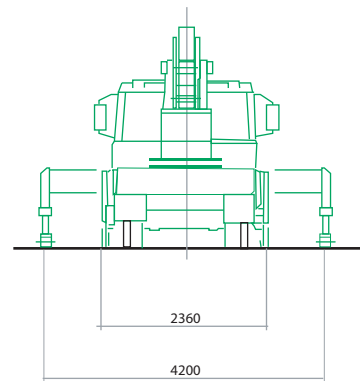
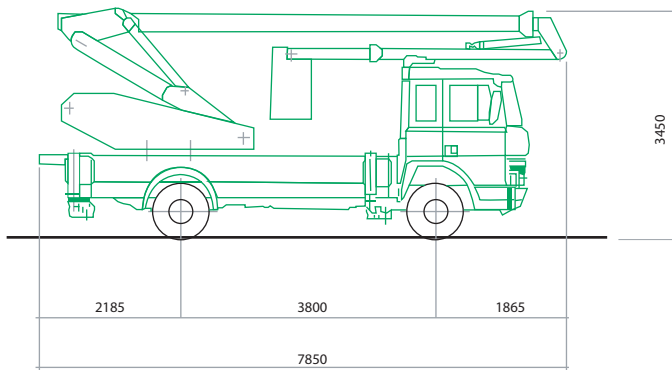
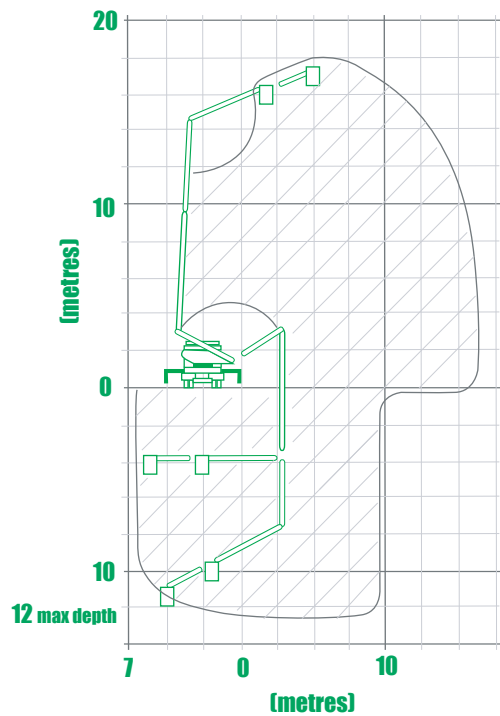
Underbridge Inspection Unit Unit Number: UBI 1 & 2

Specs

Under bridge working length	7 m
Width of platform	2 man basket
Safe working load	180 kg
Max load at end of telescopic platform	180 kg
Max lowering depth	12 m
Rotation of platform	360°
Space required on bridge	3.5 m
Travelling height (stowed)	3.45 m
Overall weight (approx)	12,500 kg

Additional Equipment

Generator 6KVA



www.ewphire.net.au

EWP Hire Pty Ltd

P: 0488 666 063

E: admin@ewphire.net.au

ABN: 61 162 101 699

P: PO Box 239 West Burleigh QLD 4219

A: 3 Rudman Parade, Burleigh Heads QLD 4220