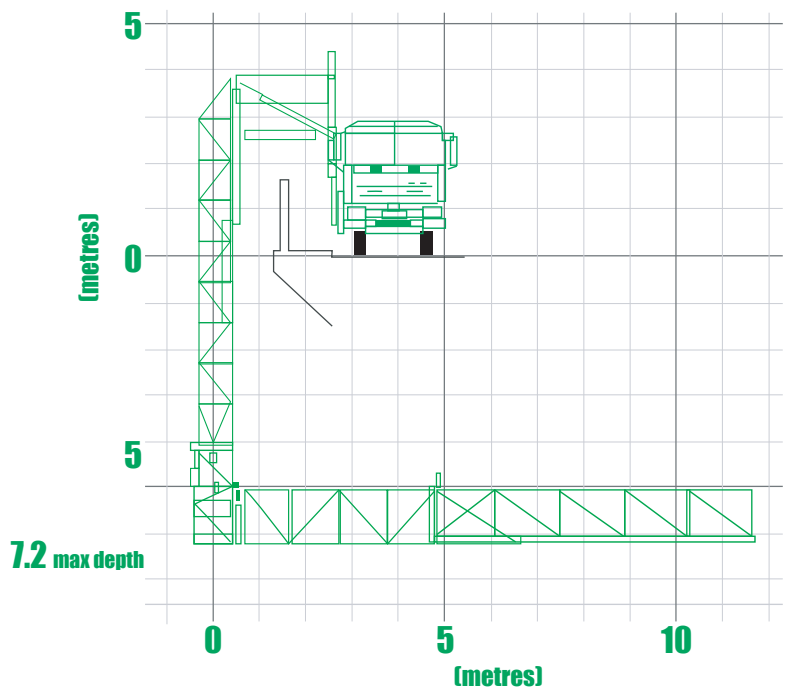


12 Metre Industrial Moog Underbridge Maintenance Unit

Unit Number: UBM 7 & 8

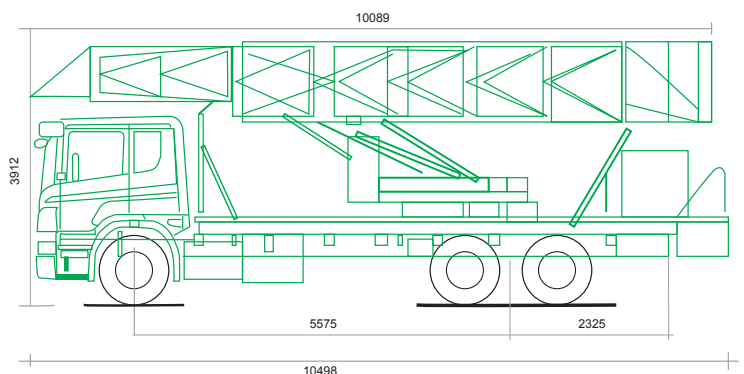
Specs

Under bridge working length	11-13 m
Width of platform	1.2 m
Safe working load	500 kg
Max load at end of telescopic platform	250 kg
Max lowering depth	7.2 m
Rotation of platform	180°
Space required on bridge	2.5 m
Travelling height (stowed)	4 m
Overall weight (approx)	23,000 kg



Additional Equipment

- Generator 6KVA (silenced)
- Compressor 100CFM
- Gurney 3500psi
- Water Tank



www.ewphire.net.au

EWP Hire Pty Ltd

P: 0488 666 063

E: admin@ewphire.net.au

ABN: 61 162 101 699

P: PO Box 239 West Burleigh QLD 4219

A: 3 Rudman Parade, Burleigh Heads QLD 4220